

# Mongoose Quick Start Guide

## Important Notes

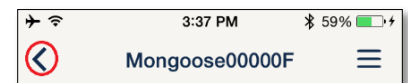
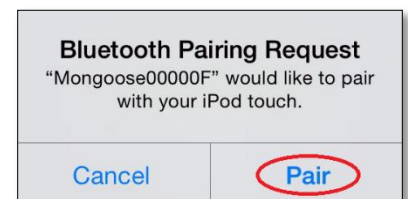
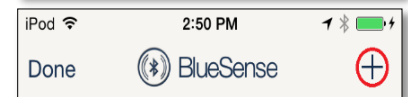
1. The Mongoose will only work with garage door openers that have 2 wires running from the opener to the wall mounted button.
2. Connecting wires with voltage higher than 24VDC can permanently damage the Mongoose.
3. The Mongoose is not compatible with Chamberlain and Liftmaster Security+2.0 openers. It is compatible with Security+ and older models, but not Security+2.0. Please reference your opener's manual to determine if it is a Security+2.0 model, this will usually be stated on the first page.

## BlueSense App

1. Install BlueSense from the App Store on your iOS device. iOS 7 is required, but the latest version of iOS is recommended.

## Pairing

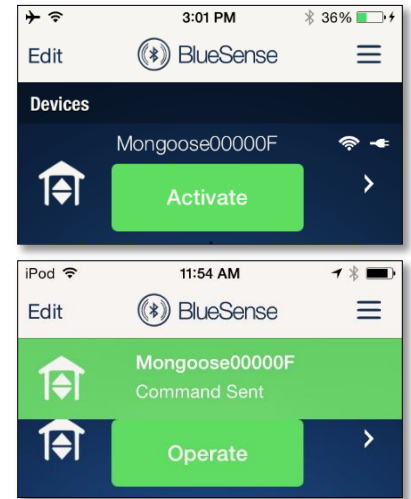
1. Open the BlueSense app on your iOS device and press **Edit**, then press the + symbol in the upper right corner to add a new device. The app will then switch to a screen titled Pairable Devices.
2. Click the button on the Mongoose to put it into pairing mode. The LED will begin to flash. When the device shows up in the Pairable Devices list press the > symbol next to the device name to connect.
3. When prompted with a Bluetooth Pairing Request pop-up, select **Pair** to complete the pairing process.
4. Press the < symbol to go back to the main menu.



5. Press the green **Operate** button to control the Mongoose.

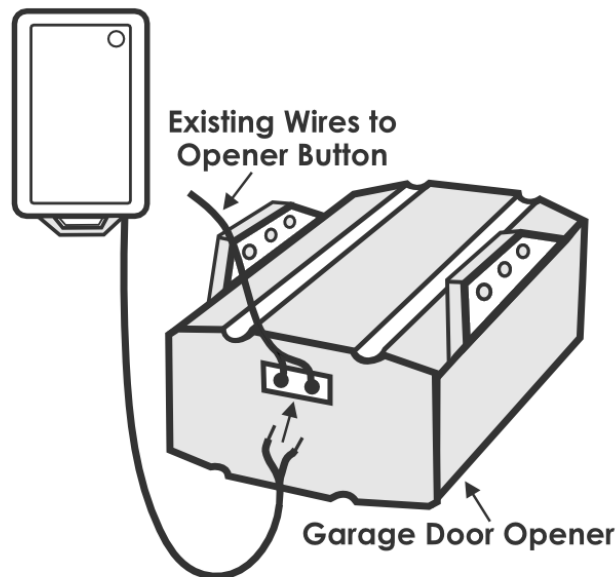
The red led on the Mongoose will flash indicating the command was received. If the Mongoose had been connected to the garage door opener already the garage door would have operated. A green banner will also pop down in BlueSense when the command has successfully been sent to the device.

The Mongoose has now been paired with your iOS device and is ready to be installed on your garage door opener. Up to 8 iOS devices can be paired with the Mongoose by following the same pairing procedure.

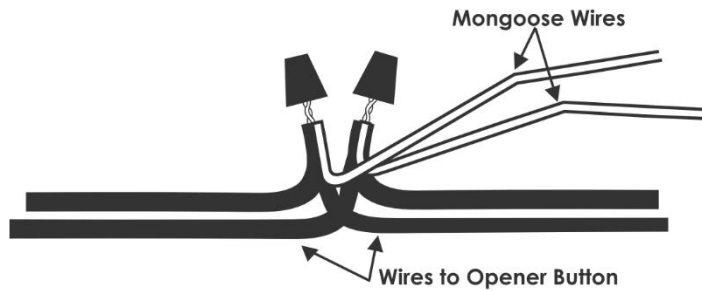


## Installation

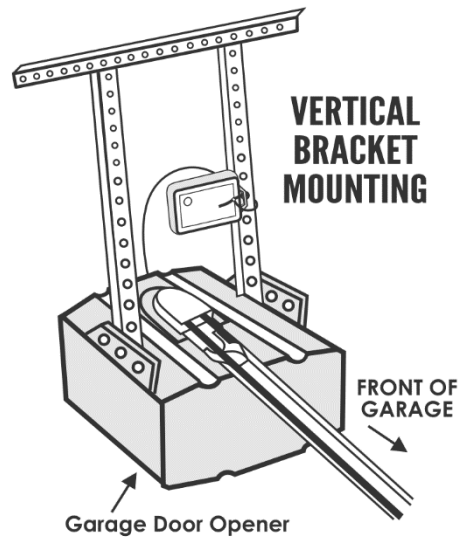
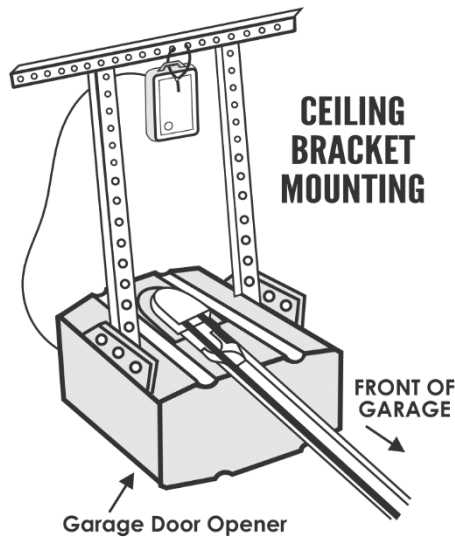
1. Unplug the garage door opener.
2. Connect the Mongoose wires to the terminals on the garage door opener along with the existing wires which are already connected and going to the garage door opener button. The polarity of the wires does not matter, either wire from the Mongoose can connect with either of the existing wires.

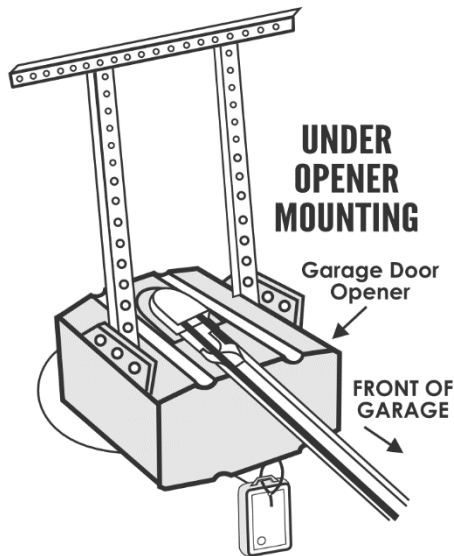


If multiple wires can't be connected to the garage door opener button terminals then the garage door opener button wires will need to be cut and then connected to the Mongoose wires using wire nuts (not included) as shown below. This method can also be used to connect the Mongoose anywhere along the garage door opener button wires if mounting the Mongoose closer to the garage door opener button is desired.

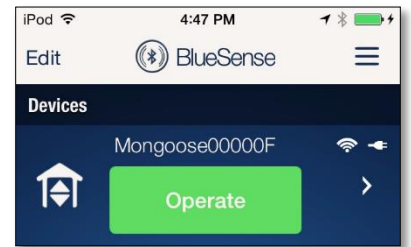


3. For best performance, the Mongoose should be powered with a micro USB power supply. If powering the Mongoose via USB, plug the power supply into the garage ceiling power outlet.
4. Attach the Mongoose to the garage door opener by running the included cable tie through the Mongoose's mounting ring and a suitable attachment point on or near the garage door opener. The Mongoose will perform best if hanging freely from the cable tie away from any metallic objects and if the front of the Mongoose (the side with the button and led) is facing the garage door. Three example mounting locations are show below:



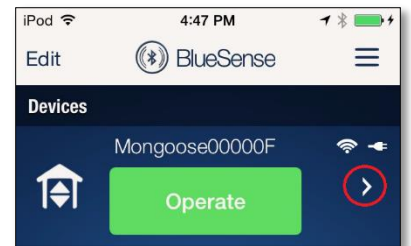


5. Plug in the garage door opener.
6. The Mongoose is now ready to use. Press the green **Operate** button in BlueSense to control the garage door.



## Configuration

1. To change the configuration of the Mongoose press the > symbol next to the device name to connect.



## Changing the Name

1. The name of the Mongoose can be changed by pressing the **Edit** button, then tapping on the device name. Tap the icon to change the icon.



## Help

1. For help, the BlueSense and BLEbeacon User Guides can be accessed through the main menu. Open the main menu from the main screen of BlueSense by tapping the menu button (≡) in the upper right corner.

